

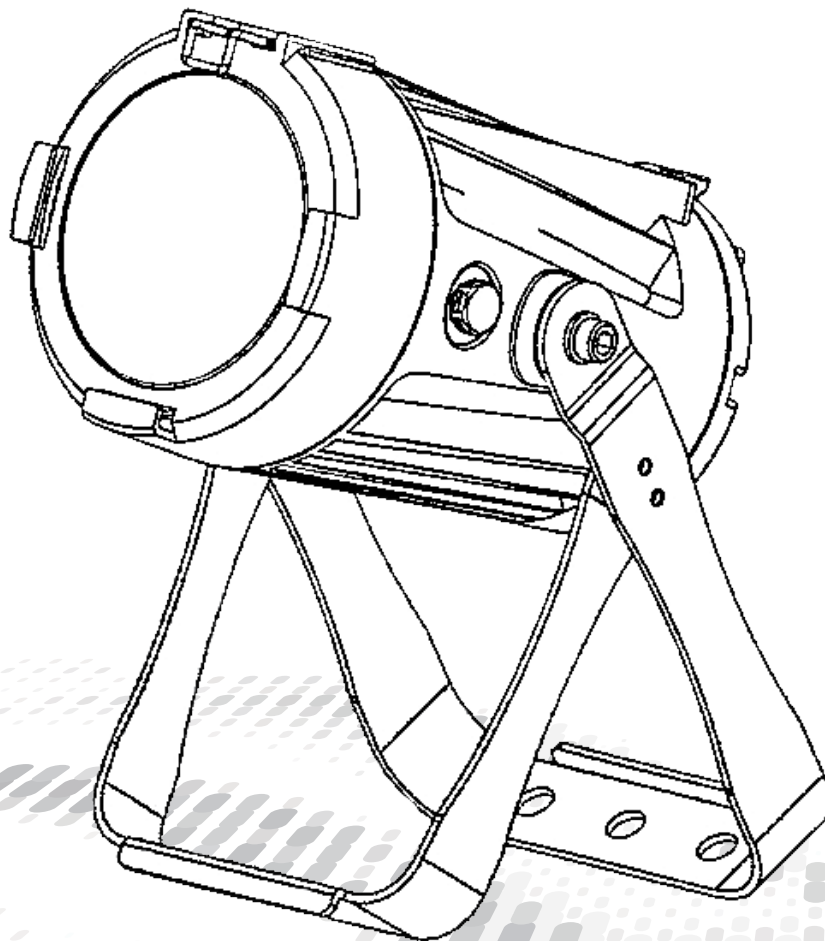
# SHOWPRO

## LED PixPAR 2 IP65

## RGBW ZOOM

### USER MANUAL

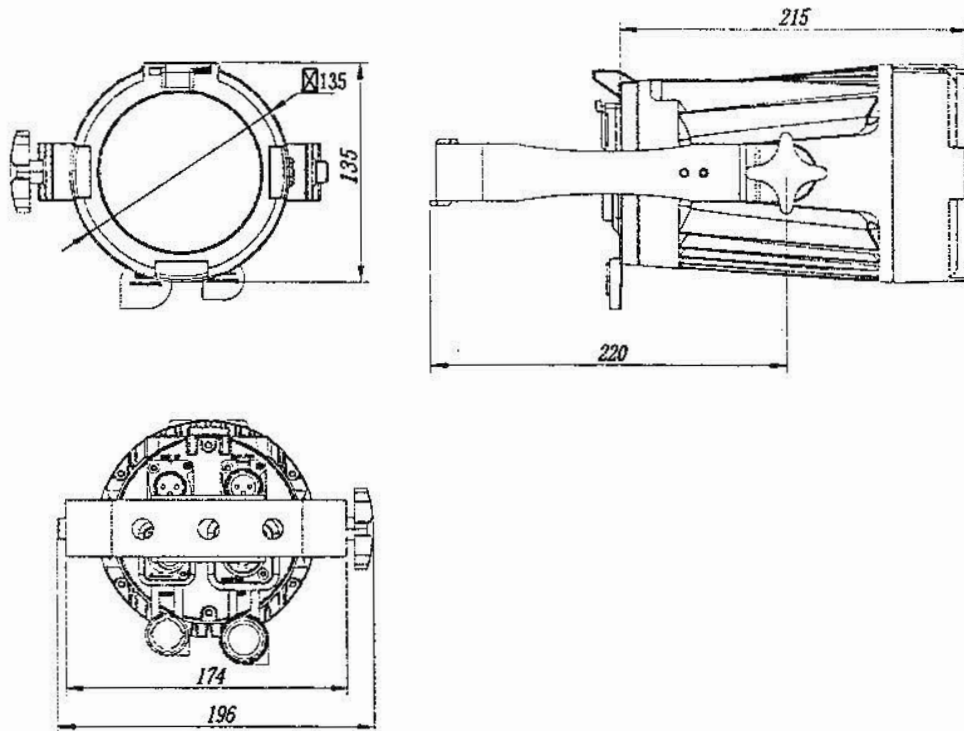
LEDPAR207



# 1 PRODUCT SPECIFICATIONS

## 1.1 PRODUCT SPECIFICATIONS

- ◆ Voltage: AC100~240V, 50/60Hz
- ◆ Max Power: 50W
- ◆ Operation Temperature: -20°C~45°C
- ◆ Size: 333×196×135mm
- ◆ Weight: 3.6kg



## 1.2 SAFETY WARNING

### IMPORTANT:

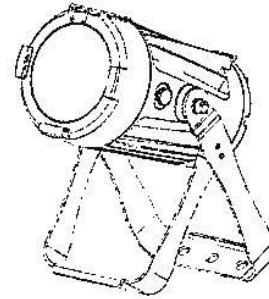
- This product must be installed by a qualified professional.
- All maintenance must be carried out by a qualified electrician.
- A minimum distance of 0.5m must be maintained between the equipment and a combustible surface.
- The product must always be operated in a well ventilated area.
- DO NOT stare directly into the LED light source.
- Always disconnect the power before carrying out any maintenance.
- The earth must always be connected to the ground.
- Ensure that all parts of the equipment are kept clean and free of dust.
  
- Do not open the fixture or remove any cover. Refer any service operation not described in this manual to an authorized Show Technology Service Centre.

## 2 INSTALLATION

### 2.1 MOUNTING

#### HANGING

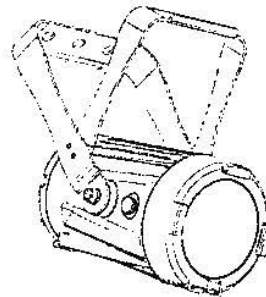
The fixture can be mounted in a hanging position using the supporting bracket. The bracket should be secured to the mounting truss or structure using a standard mounting clamp. Please note that when hanging the unit a safety cable should also be used.



#### UPRIGHT

The fixture can be mounted in an upright or sitting position using the supporting brackets.

Contact your ShowPRO supplier for assistance if you have any questions about how to install this product safely.



The LED MODULE can be mounted at any angle and in any position. It is possible to further adjust the angle of the LED MODULE using the two adjustment knobs located on the side of the fixture.

### 2.2 POWER CONNECTIONS

@ 220V: 40 units may be connected in series

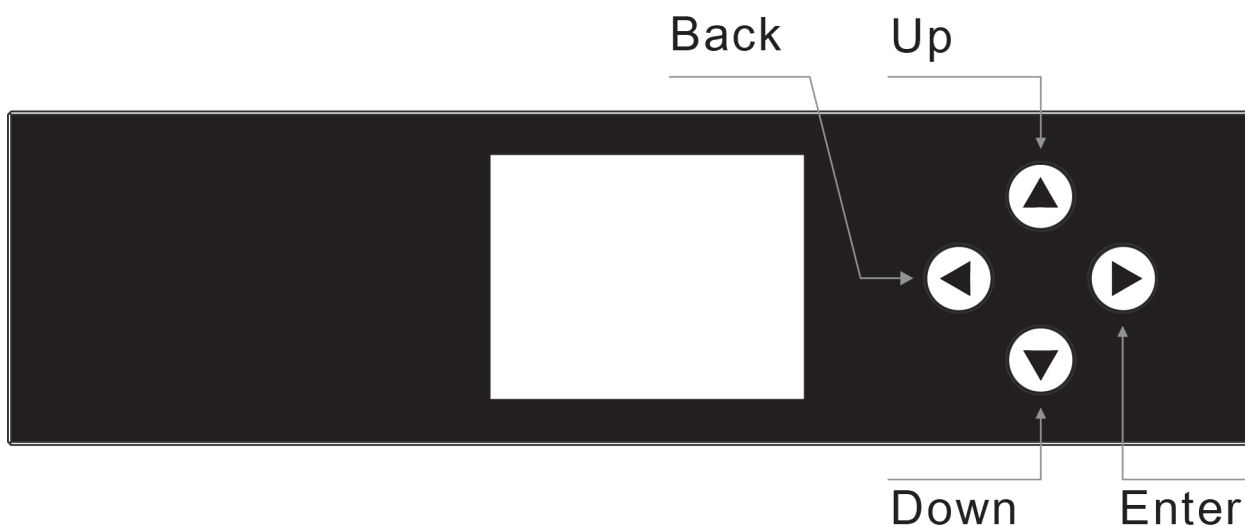
@ 110V: 20 units may be connected in series

**Note:**

If the signal cable is over 60m between the DMX512 controller and fixture or between two fixtures, then a DMX signal amplifier is needed as well.

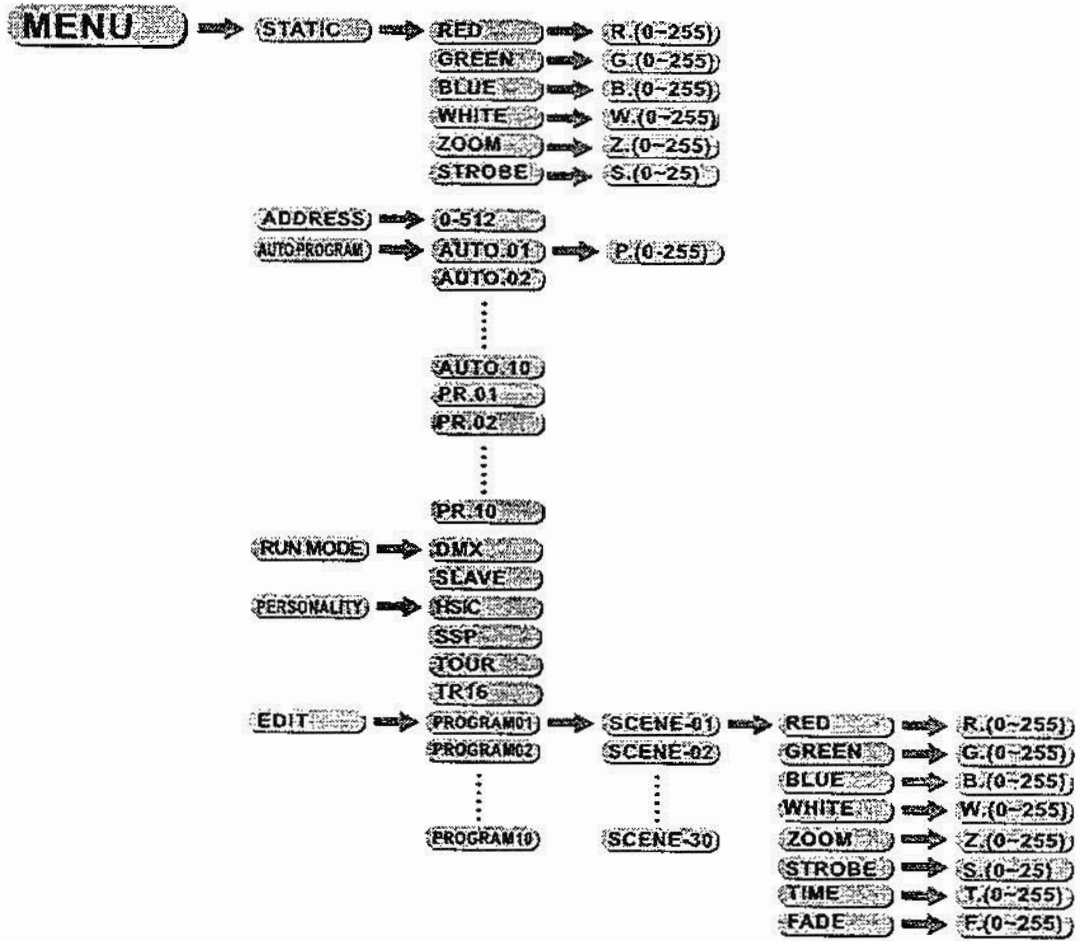
# 3 Display panel operation

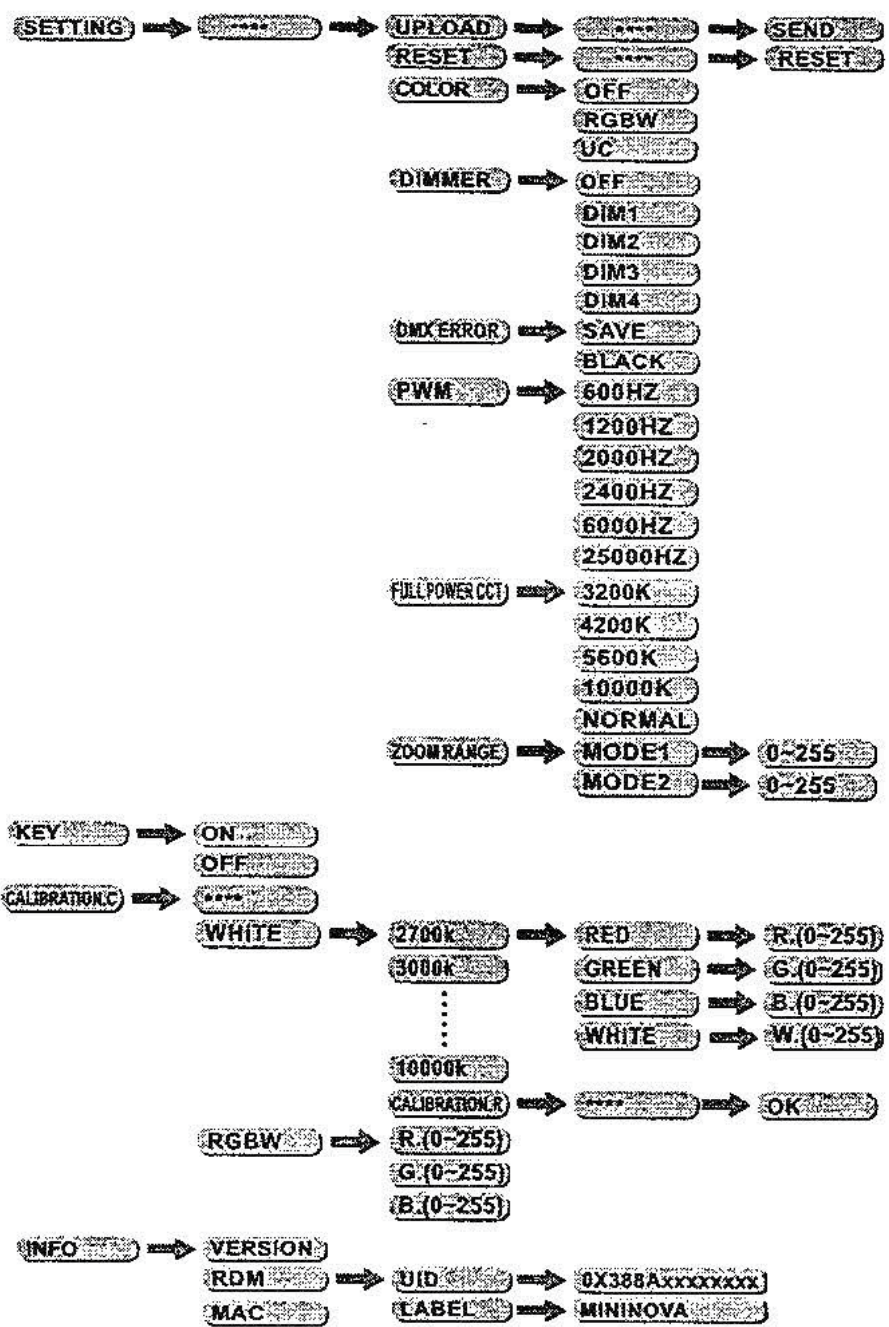
## 3.1 Display operation



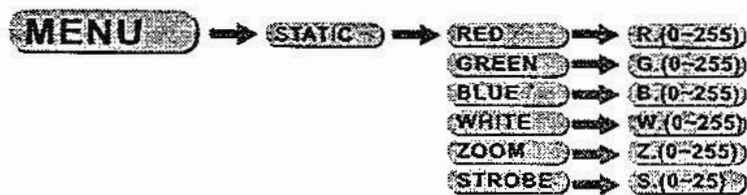
- <UP> Scroll 'UP' through the menu list or increase the value of the current function.
- <DOWN> Scroll 'DOWN' through the menu list or decrease the value of the current function.
- <BACK> Scroll through the main menu or exit current function.
- <ENTER> Enter the currently selected menu or confirm the current function value.
- To Unlock (Wake) the display:
  1. Keep pressing BACK around 5 seconds, until the display shows password prompt
  2. Press "<UP> <DOWN><UP><DOWN><ENTER>" to unlock.

### 3.2 MENU MAP





### 3.3 EDIT STATIC COLOUR



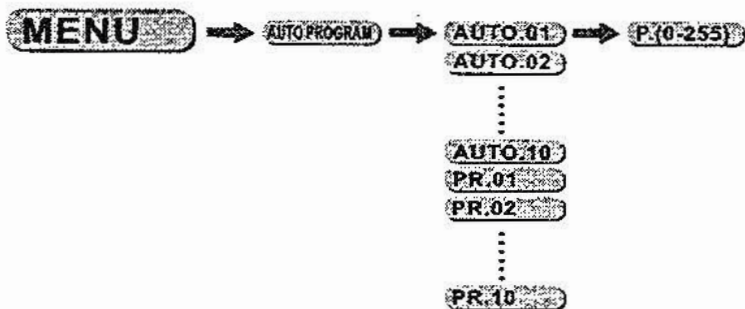
- Combine **【RED】**, **【GREEN】**, **【BLUE】**, **【WHITE】** AND **【ZOOM】** to create an infinite range of colors (0-255)
- Set the value of the **【STROBE】** (0-25Hz)

### 3.4 DMX512 SETTINGS



- Enter the **【ADDRESS】** mode to set the DMX ADDRESS.

### 3.5 ACTIVATING AUTO PROGRAMS



- Select the target **【AUTO PROGRAM】** program and press **【ENTER】**.
- Programs **【AUTO.01】** to **【AUTO.10】** are fully pre-programmed and will not be altered by changes in **【EDIT】** mode.
- Programs **【PR.01】** to **【PR.10】** are fully pre-programmed and can be edited in **【EDIT】** mode.

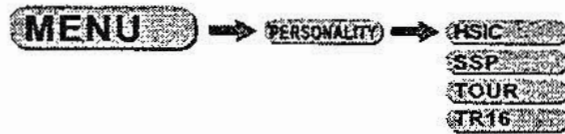
### 3.6 RUN MODE



- Enter the **【RUN MODE】** mode to set working mode.
- **【DMX】** mode is for using the DMX512 controller to control the fixtures.
- **【SLAVE】** mode is for Master -- Slave operation.



### 3.7 PERSONALITY

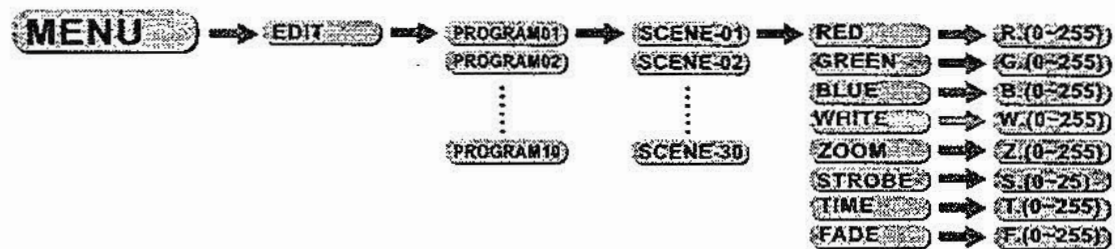


- Enter the **PERSONALITY** mode to select DMX mode: **HSIC** \ **SSP** \ **TOUR** \ **TR16** .

#### Introduction for HSIC

- **HUE**: colorful present(red, orange,yellow, green,cyan, blue, magentacolor changeable)
- **HUE FINE**: fine dimming when choose a color
- **SATURATION**: adjust saturation when choose a color
- **INTENSITY**: adjust intensity for chosen color
- **CCT**: choose needed color temperature(2700k, 3000k, 3200k, 3500k, 4000k, 4200k, 4500k, 5600k, 6000k, 6500k, 7200k, 8000k)

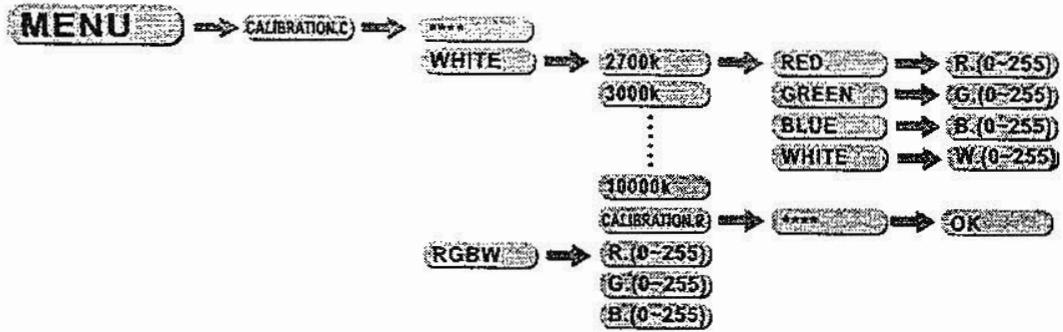
### 3.8 EDITING CUSTOM PROGRAMS



- Enter the **EDIT** mode to edit the custom programs **PROGRAM01** to **PROGRAM10** .
- Each custom program has 30 scenes that can be edited.
- Each step allows the creation of a scene using **RED** **RED** , **GREEN** **GREEN** , **BLUE** **BLUE** , **WHITE** **WHITE** , **ZOOM** **ZOOM** , **STROBE** **STROBE** , **TIME** **TIME** & **FADE** **FADE** .

### 3.11 BALANCE PARAMETERS AND CORRECTION MENU DISPLAY

Press **【MENU】** button to enter the password confirmation, to enter the correct password < UP + DOWN + UP + DOWN >  
 Key, press the **【MENU】** in, the correct password will enter show submenu



- Enter the **【CALIB.C】** to select white color of different color temperature.
- There are 2700k-10000k pre-programmed White colors can be edited by using **【RED】** , **【GREEN】** , **【BLUE】** & **【WHITE】** .

Note: if CCT data is changed in **【WHITE】** from 2700k to 10000k, CCT of according channel will be changed also

- Enter the **【RGBW】** to adjust the RGB parameter to make different whites.
- When the new setting is activated, the DMX controller choose RGB = 255,255,255 the white color will be made by the actual RGB values on the **【RGBW】** .

### 3.12 INFO



- Press **【ENTER】** and go to **【 INFO】** ,you can check **【 VERSION】** , press **【DOWN】** / **【UP】** to check **【RDM】** , **【LABEL】** , **【MAC】** , press **【MENU】** and back.

## 4 USING A DMX512 CONTROLLER

### 4.1 CHANNEL ASSIGNMENT

- Note: This product have four DMX512 channel configuration: 【HSIC】 , 【SSP】 , 【TOUR】 , 【TR16】 .

HSIC		
CHANNEL	VALUE	FUNCTION
1	0 ⇔ 255	INTENSITY
2	0 ⇔ 255	HUE
3	0 ⇔ 255	HUE FINE
4	0 ⇔ 255	SATURATION
5		CCT
	0 ⇔ 10	NO FUNCTION
	11 ⇔ 30	2700K
	31 ⇔ 50	3000K
	51 ⇔ 70	3200K
	71 ⇔ 90	3500K
	91 ⇔ 110	4000K
	111 ⇔ 130	4200K
	131 ⇔ 150	4500K
	151 ⇔ 170	5600K
	171 ⇔ 190	6000K
	191 ⇔ 210	6500K
	211 ⇔ 230	7200K
	231 ⇔ 255	8000K
6		STROBE
	0 ⇔ 9	NO FUNCTION
	10 ⇔ 99	STROBE FROM ( SLOW TO FAST , 0-25Hz )
	100 ⇔ 109	NO FUNCTION
	110 ⇔ 179	LIGHTNING STROBE
	180 ⇔ 189	NO FUNCTION
	190 ⇔ 255	RANDOM SROBE
7	0 ⇔ 255	ZOOM
8	0 ⇔ 200	NO FUNCTION
	201 ⇔ 220	ZOOM RESET
	221 ⇔ 255	NO FUNCTION
9		DIMMER SPEED
	0 ⇔ 9	PRESET DIMMER SPEED FROM DISPLAY MENU
	10 ⇔ 29	OFF
	30 ⇔ 69	DIM1
	70 ⇔ 129	DIM2
	130 ⇔ 189	DIM3
	190 ⇔ 255	DIM4

SSP		
CHANNEL	VALUE	FUNCTION
1	0 ↔ 255	MASTER DIMMER
2	0 ↔ 255	RED
3	0 ↔ 255	GREEN
4	0 ↔ 255	BLUE
5	0 ↔ 255	WHITE
6		STROBE
	0 ↔ 9	NO FUNCTION
	10 ↔ 99	STROBE FROM ( SLOW TO FAST , 0-25Hz )
	100 ↔ 109	NO FUNCTION
	110 ↔ 179	LIGHTNING STROBE
	180 ↔ 189	NO FUNCTION
	190 ↔ 255	RANDOM SROBE
7	0 ↔ 255	ZOOM
8	0 ↔ 200	NO FUNCTION
	201 ↔ 220	ZOOM RESET
	221 ↔ 255	NO FUNCTION
9		DIMMER SPEED
	0 ↔ 9	PRESET DIMMER SPEED FROM DISPLAY MENU
	10 ↔ 29	OFF
	30 ↔ 69	DIM1
	70 ↔ 129	DIM2
	130 ↔ 189	DIM3
	190 ↔ 255	DIM4

## TOUR

CHANNEL	VALUE	FUNCTION	
1	0 ⇔ 255	MASTER DIMMER	
2	0 ⇔ 255	RED	
3	0 ⇔ 255	GREEN	
4	0 ⇔ 255	BLUE	
5	0 ⇔ 255	WHITE	
6		COLOR MARCOS	
	0 ⇔ 10	NO FUNCTION	
	11 ⇔ 30	RED 100% / GREEN UP / BLUE 0%	
	31 ⇔ 50	RED DOWN / GREEN 100% / BLUE 0%	
	51 ⇔ 70	RED 0% / GREEN 100% / BLUE UP	
	71 ⇔ 90	RED 0% / GREEN DOWN / BLUE 100%	
	91 ⇔ 110	RED UP / GREEN 0% / BLUE 100%	
	111 ⇔ 130	RED 100% / GREEN 0% / BLUE DOWN	
	131 ⇔ 150	RED 100% / GREEN UP / BLUE UP	
	151 ⇔ 170	RED DOWN / GREEN DOWN / BLUE 100%	
	171 ⇔ 195	ALL LEDS AT FULL OUTPUT	
	196 ⇔ 200	2700K	
	201 ⇔ 205	3000K	
	206 ⇔ 210	3200K	
	211 ⇔ 215	3500K	
	216 ⇔ 220	4000K	
	221 ⇔ 225	4200K	
	226 ⇔ 230	4500K	
	231 ⇔ 235	5600K	
	236 ⇔ 240	6000K	
	241 ⇔ 245	6500K	
	246 ⇔ 250	7200K	
	251 ⇔ 255	8000K	
	7		STROBE
		0 ⇔ 9	NO FUNCTION
10 ⇔ 99		STROBE FROM ( SLOW TO FAST , 0-25Hz )	
100 ⇔ 109		NO FUNCTION	
110 ⇔ 179		LIGHTNING STROBE	
180 ⇔ 189		NO FUNCTION	
190 ⇔ 255		RANDOM SROBE	

CHANNEL	VALUE	FUNCTION
8		AUTO
	0 ⇔ 40	NO FUNCTION
	41 ⇔ 50	ATUO1
	51 ⇔ 60	ATUO2
	61 ⇔ 70	ATUO3
	71 ⇔ 80	ATUO4
	81 ⇔ 90	ATUO5
	91 ⇔ 100	ATUO6
	101 ⇔ 110	ATUO7
	111 ⇔ 120	ATUO8
	121 ⇔ 130	ATUO9
	131 ⇔ 140	ATUO10
	141 ⇔ 150	PROGRAM1
	151 ⇔ 160	PROGRAM2
	161 ⇔ 170	PROGRAM3
	171 ⇔ 180	PROGRAM4
	181 ⇔ 190	PROGRAM5
	191 ⇔ 200	PROGRAM6
	201 ⇔ 210	PROGRAM7
	211 ⇔ 220	PROGRAM8
221 ⇔ 230	PROGRAM9	
231 ⇔ 255	PROGRAM10	
9	0 ⇔ 255	AUTO SPEED ADJUSTMENT
10	0 ⇔ 255	ZOOM
11	0 ⇔ 200	NO FUNCTION
	201 ⇔ 220	ZOOM RESET
	221 ⇔ 255	NO FUNCTION
12		DIMMER SPEED
	0 ⇔ 9	PRESET DIMMER SPEED FROM DISPLAY MENU
	10 ⇔ 29	OFF
	30 ⇔ 69	DIM1
	70 ⇔ 129	DIM2
	130 ⇔ 189	DIM3
	190 ⇔ 255	DIM4

TR16		
CHANNEL	VALUE	FUNCTION
1	0 ↔ 255	MASTER DIMMER
2	0 ↔ 255	MASTER DIMMER FINE
3	0 ↔ 255	RED
4	0 ↔ 255	RED FINE
5	0 ↔ 255	GREEN
6	0 ↔ 255	GREEN FINE
7	0 ↔ 255	BLUE
8	0 ↔ 255	BLUE FINE
9	0 ↔ 255	WHITE
10	0 ↔ 255	WHITE FINE
11		COLOR MARCOS
	0 ↔ 10	NO FUNCTION
	11 ↔ 30	RED 100% / GREEN UP / BLUE 0%
	31 ↔ 50	RED DOWN / GREEN 100% / BLUE 0%
	51 ↔ 70	RED 0% / GREEN 100% / BLUE UP
	71 ↔ 90	RED 0% / GREEN DOWN / BLUE 100%
	91 ↔ 110	RED UP / GREEN 0% / BLUE 100%
	111 ↔ 130	RED 100% / GREEN 0% / BLUE DOWN
	131 ↔ 150	RED 100% / GREEN UP / BLUE UP
	151 ↔ 170	RED DOWN / GREEN DOWN / BLUE 100%
	171 ↔ 195	ALL LEDS AT FULL OUTPUT
	196 ↔ 200	2700K
	201 ↔ 205	3000K
	206 ↔ 210	3200K
	211 ↔ 215	3500K
	216 ↔ 220	4000K
	221 ↔ 225	4200K
	226 ↔ 230	4500K
	231 ↔ 235	5600K
	236 ↔ 240	6000K
	241 ↔ 245	6500K
246 ↔ 250	7200K	
251 ↔ 255	8000K	
12		STROBE
	0 ↔ 9	NO FUNCTION
	10 ↔ 99	STROBE FROM ( SLOW TO FAST , 0-25Hz )
	100 ↔ 109	NO FUNCTION
	110 ↔ 179	LIGHTNING STROBE
	180 ↔ 189	NO FUNCTION
	190 ↔ 255	RANDOM SROBE

CHANNEL	VALUE	FUNCTION
		AUTO
	0 ⇔ 40	NO FUNCTION
	41 ⇔ 50	ATUO1
	51 ⇔ 60	ATUO2
	61 ⇔ 70	ATUO3
	71 ⇔ 80	ATUO4
	81 ⇔ 90	ATUO5
	91 ⇔ 100	ATUO6
	101 ⇔ 110	ATUO7
	111 ⇔ 120	ATUO8
13	121 ⇔ 130	ATUO9
	131 ⇔ 140	ATUO10
	141 ⇔ 150	PROGRAM1
	151 ⇔ 160	PROGRAM2
	161 ⇔ 170	PROGRAM3
	171 ⇔ 180	PROGRAM4
	181 ⇔ 190	PROGRAM5
	191 ⇔ 200	PROGRAM6
	201 ⇔ 210	PROGRAM7
	211 ⇔ 220	PROGRAM8
	221 ⇔ 230	PROGRAM9
	231 ⇔ 255	PROGRAM10
14	0 ⇔ 255	AUTO SPEED ADJUSTMENT
15	0 ⇔ 255	ZOOM
	0 ⇔ 200	NO FUNCTION
16	201 ⇔ 220	ZOOM RESET
	221 ⇔ 255	NO FUNCTION
		DIMMER SPEED
	0 ⇔ 9	PRESET DIMMER SPEED FROM DISPLAY MENU
	10 ⇔ 29	OFF
	30 ⇔ 69	DIM1
17	70 ⇔ 129	DIM2
	130 ⇔ 189	DIM3
	190 ⇔ 255	DIM4